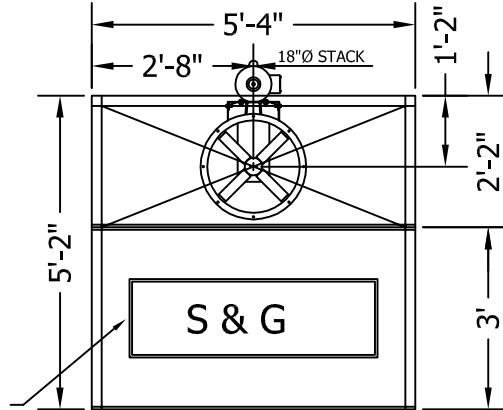


COL-MET SPRAY BOOTHS ARE MFG. IN ACCORDANCE WITH IFC-2003 SECTION 1504.1.2.1 THROUGH 1504.1.2.4, SECTION 1504.2.3, SECTION 1504.2.5, SECTION 1504.2.7, SECTION 1504.3, SECTION 1504.3.1, SECTION 1504.3.2, AND NFPA-33

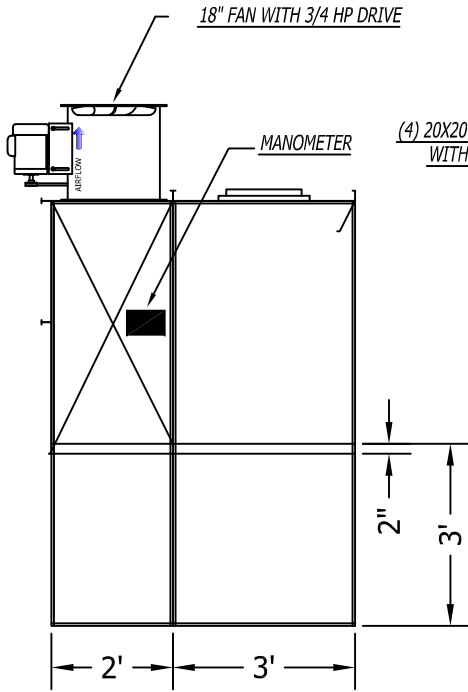
BOOTH WALLS & CEILING PANELS FABRICATED OF G-90, 18 GA. GALVANIZED STEEL IN ACCORDANCE WITH THE IFC-2003 SECTION 1504.1.2.1 & NFPA -33 CHAPTER 5.1

SEE ORDER ACKNOWLEDGEMENT FOR COMPLETE LIST OF PROVIDED STACK, AND OPTIONAL COMPONENTS



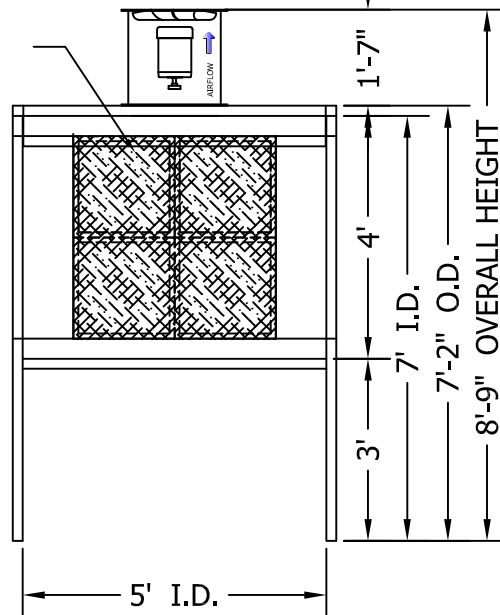
(QTY 1) #441 S&G LIGHT

18" FAN WITH 3/4 HP DRIVE



LEFT SIDE ELEVATION

PLAN VIEW



FRONT VIEW

(4) 20X20 FILTERS WITH GRIDS



All drawings, sketches and/or specifications accompanying or attached to these quotes are the property of Col-Met Spray Booths. If the said quote(s) of Col-Met Spray Booths are not accepted the said drawings, etc. shall be returned to Col-Met Spray Booths. All digital data is issued for information only. You should use this data for reference purposes only to assist in coordinating your work and is supplementary to formally issued paper drawings. In all instances the contract issue drawings govern. It is the responsibility of the recipient to check all digital information against the contract documentation. Col-Met Spray Booths accepts no liability or responsibility for any loss or damage suffered as a result of (or in connection with) the use or misuse of the CAD data supplied for information only. Once the data is introduced into your own CAD or other system, Col-Met Spray Booths can take no responsibility for its accuracy.

FILE LOCATION: T:\ColMet Standard Catalog Booth Drawings\IBB-0507\112-0507-03-01-01.dwg	DRAWING VIEW: IBB 0507-03 3-VIEW
JOB NO.: -	DISTRIBUTOR: INDUSTRIAL BENCH BOOTH 0507-03
DRAWN BY: PW	END USER: STANDARD CATALOG BOOTH
DATE: 10/5/06	CUSTOMER P.O. NO.: 112-0507-03-01-01.DWG
PLOT DATE: 8/14/2007	SCALE: NTS
PLOTTED BY: Paul Welch	SHEET: 1 OF 2
LAST SAVED DATE: 6/22/2007	
CHECK DATE:	
APPROVAL:	
ORDER DATE:	
DC:	