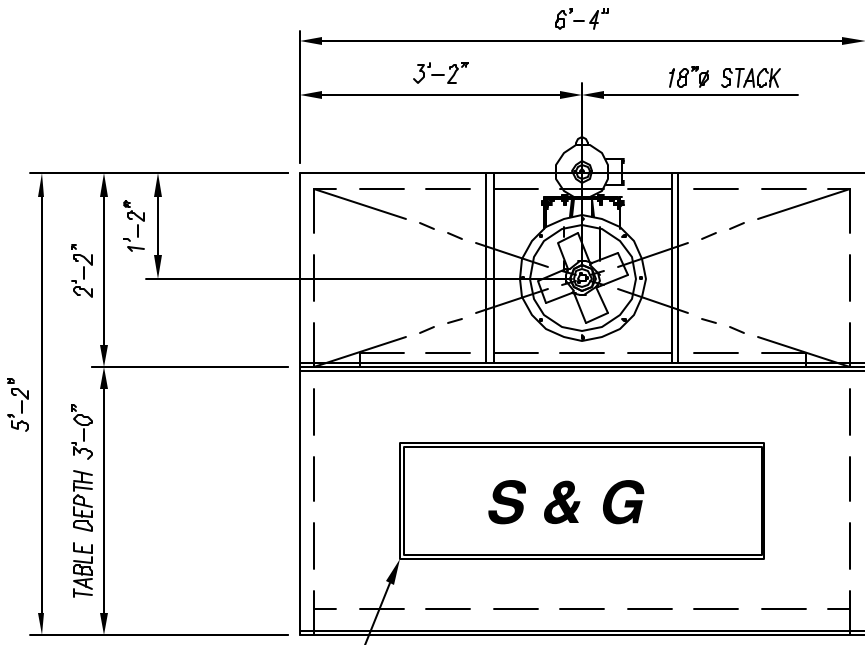


THE ASSEMBLY DRAWINGS YOU HAVE RECEIVED ARE IN A GENERAL FORMAT. OPTIONAL ACCESSORIES MAY NOT BE SHOWN AS PROVIDED. PLEASE REFER TO YOUR PURCHASE ORDER FOR A COMPLETE DESCRIPTION OF YOUR BOOTH ORDER.

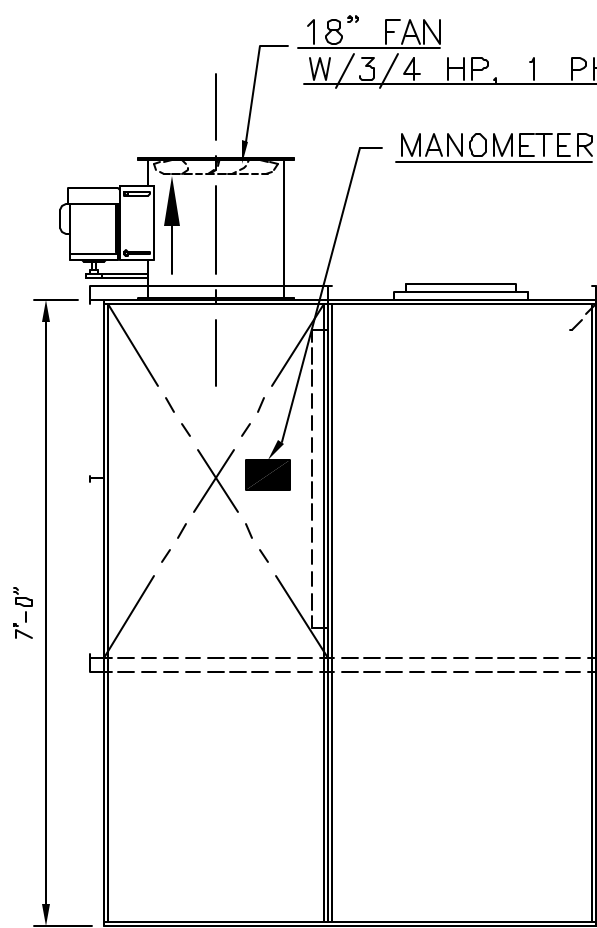


**PLAN**

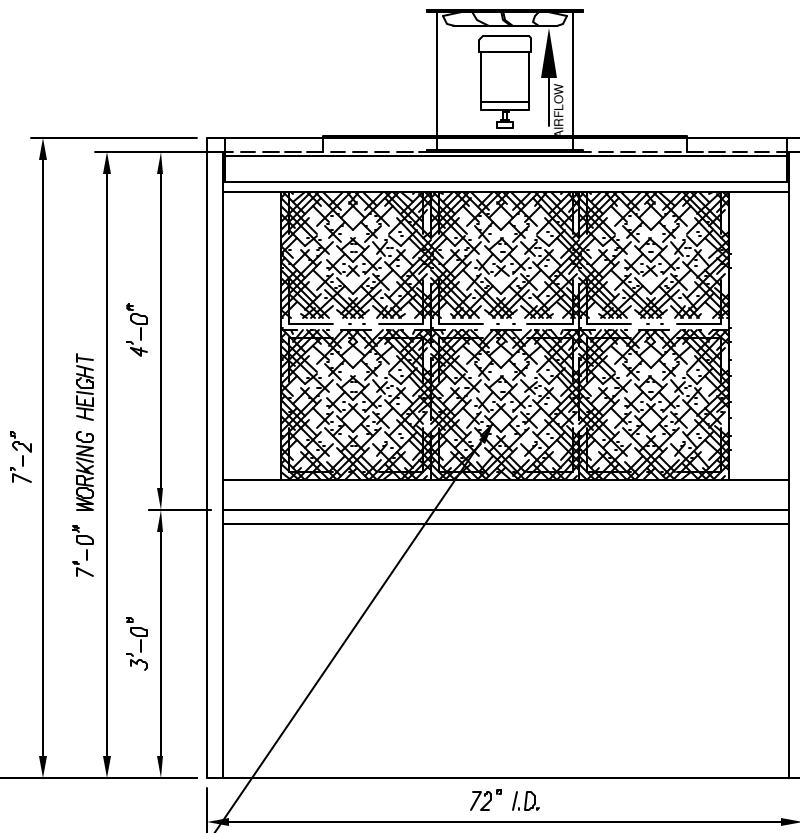
#441 LIGHT FIXTURE S&G

18" FAN  
W/3/4 HP, 1 PH MOTOR

MANOMETER



**LEFT SIDE ELEVATION**



**VIEW @ WORK AREA**

20" X 20" FILTERS WITH GRIDS (6)

REV.#	DESCRIPTION	BY:	DATE	
				S.K.
				O.T.
				03-11-04
				NTS
				IBB-0607
				112-0607-03-01-01
				1 2 0



INDUSTRIAL BENCH BOOTH